

DELAWARE ELEVATOR Manufacturing, Inc.

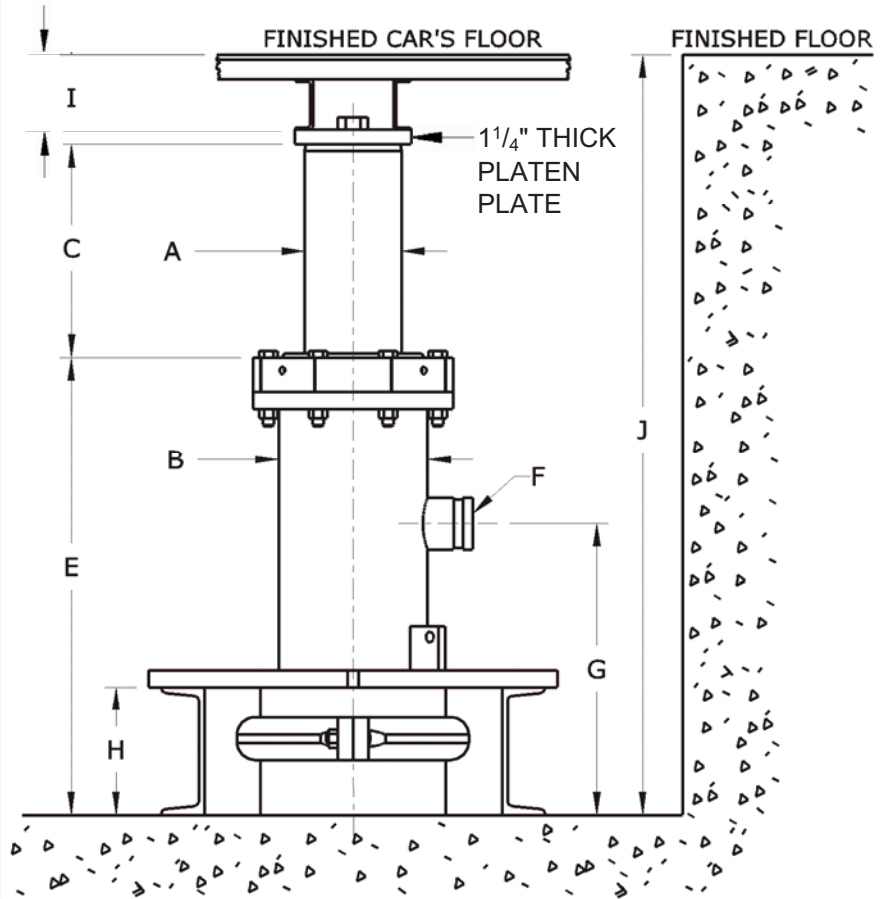
Ph: 443-497-0155 Fax: 507-389-4569

CYLINDER REPLACEMENT SURVEY SHEET

DATE : _____
 CUSTOMER : _____
 CONTACT : _____
 TEL. : _____ FAX : _____
 REFERENCE/PROJECT : _____

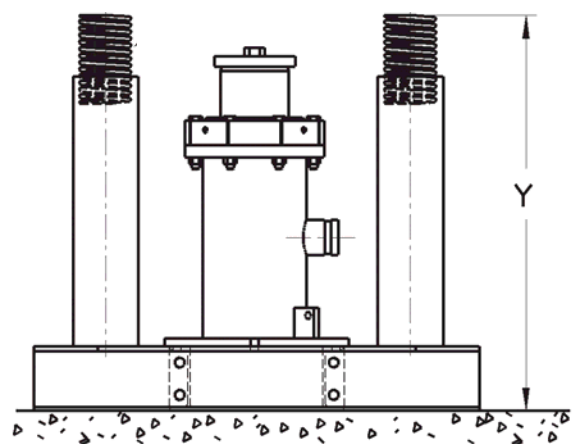
PISTON DIAMETER MUST BE MEASURED WITH MINIMUM 3 DIGITS (EX: 5.437)

A \varnothing PISTON : _____
 B \varnothing CYLINDER : _____
 C PISTON STICK OUT : _____
 (WHEN THE CAR IS ON THE FIRST FLOOR)
 NEW PLATEN BY DEM : _____
 E HEAD HEIGHT : _____
 (HEIGHT FROM TOP OF HEAD TO PIT FLOOR)
 F \varnothing OIL INLET : _____
 VIC NPT MALE NPT FEMALE
 G OIL INLET HEIGHT : _____
 H PIT CHANNEL HEIGHT : _____
 I PLATFORM & BOLSTER : _____
 J PIT DEPTH : _____
 K BOTTOM UNDER TRAVEL : _____
 L TOP OVER TRAVEL : _____



CAPACITY : _____
 CAR WEIGHT : _____
 GROSS LOAD : _____
 (INCLUDING PISTON WEIGHT)
 SPEED : _____ FPM
 TRAVEL : _____
 (FLOOR TO FLOOR)
 PISTON LENGTH : _____
 (PISTON LENGTH = C + TRAVEL + K + L)
 NBR. PIECE(S) : _____
 MAX PIECE LENGTH : _____

ITEMS TO REPLACE	YES NO	
	YES	NO
BUFFER & SPRINGS	<input type="checkbox"/>	<input type="checkbox"/>
NEW PIT CHANNEL	<input type="checkbox"/>	<input type="checkbox"/>
NEW HEAD	<input type="checkbox"/>	<input type="checkbox"/>
NEW PISTON	<input type="checkbox"/>	<input type="checkbox"/>
PVC _____	<input type="checkbox"/>	<input type="checkbox"/>
TAPE COAT	<input type="checkbox"/>	<input type="checkbox"/>



NEW PIT ASSEMBLY BY DEM : _____
 Y BUFFER HEIGHT : _____

THREADED WITH WELDING
 THREADED WITHOUT WELDING
 (Only Available for \varnothing Casing 6 5/8 and 8 5/8)

APPROVE : _____

SHIP TO ADDRESS : _____

DATE : _____