

Delaware Elevator Manufacturing, Inc.

Factory Location

27685 Rockawalkin Ridge Rd.

Salisbury, Maryland 21801

Ph: (410) 749-3489

Fax: (410) 749-3934

Delaware Elevator National Sales

360 Pierce Ave.

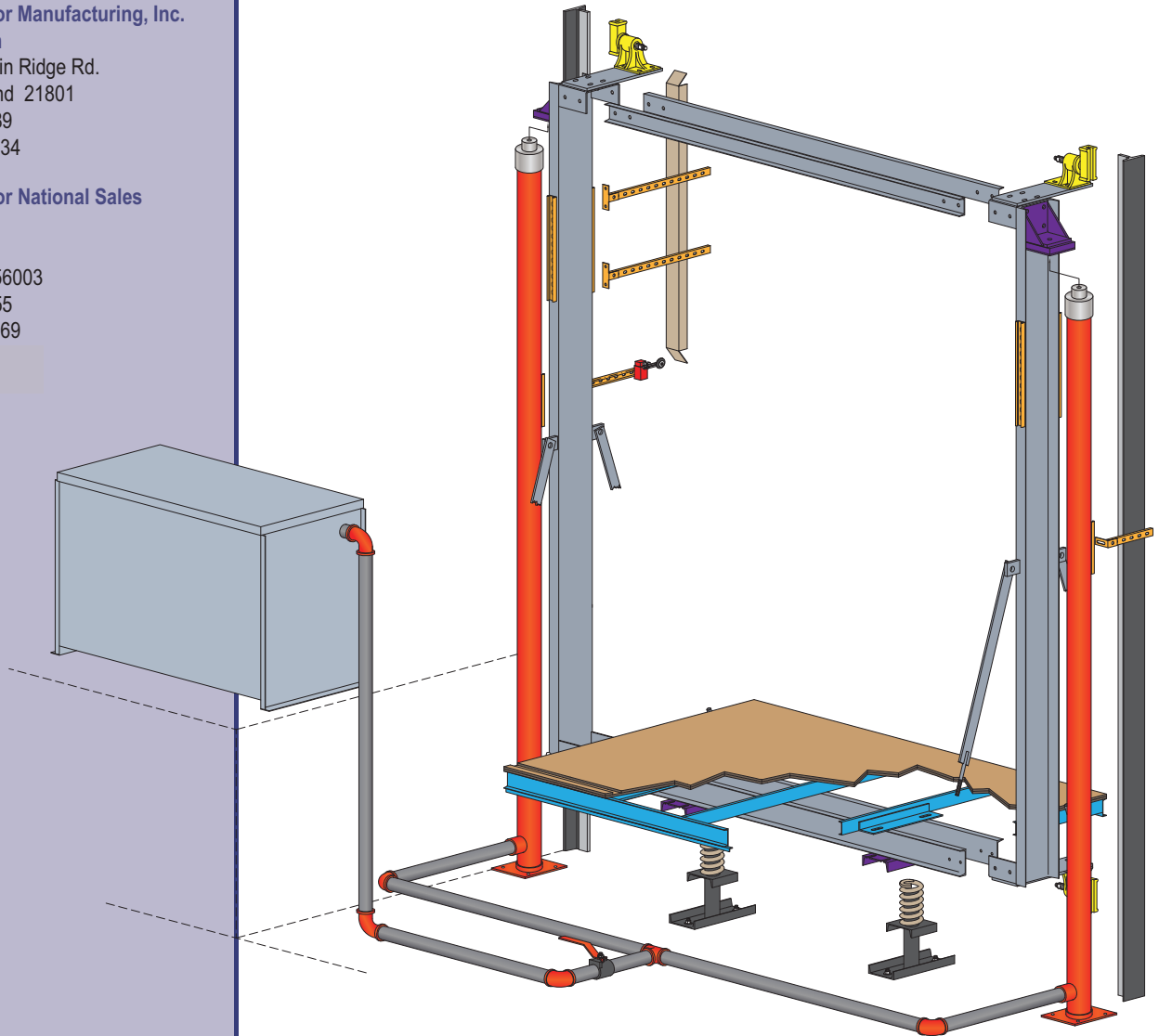
Suite 207

N. Mankato, MN 56003

Ph: (443) 497-0155

Fax: (507) 389-4569

TWIN JACK HOLELESS “Group One” Package



Options:

- Roller Guide: 803RG
- Roller Guide: 36SRG
- Additional Limit Switches
- Rail Bracket Extension
- Checker Plate: Stainless Steel, Aluminum, or Steel.
- Marine Plywood
- Isolated Platform
- 2 Stage Telescopic Jacks
- Dry Power Unit
- Seismic Splice Plates
- Piping Package
- Government Specifications
- Other Custom Applications

Group One Hydraulic Passenger Package Includes:

- **Platform with Toe Guard:** (2) Layers of ½" Plywood, 26 ga. Galvanized Fireshield
- **Sling:** Stile, Bolster, X-Head, Stay Rods, Isolated Pick-Ups, Strike Plates
- **Shoes/Guides:** 816SSC Standard (Single Swivel)
- **Limit Switch Package:** 5 ea. Switches with Brackets & Cam
- **Pit Package:** Buffer Stands with Springs
- **Rail Brackets, Fasteners & Forged Clips**
- **Rails with Splice Plates**
- **Jacks**
- **Layout Drawings** (11 X 17)
- **Submersible Power Unit**
(Visit our website www.DelawareElevator.com for more information on our Power Units)

► Visit www.DelawareElevator.com
for our Group One Package RFQ Form.

“Quality Elevator Equipment For Every Rising Need”

Group One Hydraulic RFQ/ Order Form

Project Name: _____ Location: _____

Customer: _____
 Contact: _____ Phone: _____
 Address: _____ Fax: _____
 _____ E-Mail: _____

- In Ground
 Twin Jack Holeless
 Cornerpost (In Ground)
 Passenger
 Freight
 Class of Loading: Class A
 Class B
 Class C-1
 Class C-2
 Class C-3

Capacity: _____ (lbs) Travel: _____ ft. _____ in.
 Speed Up: _____ FPM Seismic Zone: Zone 0/1
 Zone 2
 Zone 3
 Zone 4

Platform: _____ Wide x _____ Deep

Hoistway: _____ Wide x _____ Deep

Pit Depth: _____ Clear Overhead: _____ Cab Height(OA): _____

Machine Rm: Adj. Lower Level
 Remote _____ ft. Power: _____ Volts 3Ph. 60 Hz.

Landings: _____ Openings: _____ Front: _____ Rear: _____ Side: _____

Door Type: SSSO
 2SSO
 SSCO
 Bi-Parting(Freight)
 Other _____

Door Width: 36"
 42"
 48"
 60"
 Other _____

Door Height: 84"
 96"
 120"
 Other _____

Power Unit: Submersible
 Dry
 Oil Line Output: RH
 LH
 Vic
 Thread

Jack: Pieces
 1
 2
 3
 4
 PVC(Inground only)
 Sch 40
 Sch 80
 Cyl. Tape Wrap

Available Group One Options:

- Roller Guide
 Marine Plywood 3/4"
 EECO Valve
 Piping/Oil Line Package
 Low Pressure Sw.
 Constant Down Speed
 Oil Cooler
 Low Oil Switch
 Bladder Muffler
 Oil Level Sight Gauge
 Tank Heater
 Scavenger Pump/ 100 ft. Copper Tubing
 (Chamber Muffler Std.)

Comments: _____

