

# DELAWARE ELEVATOR

Manufacturing, Inc.

Delaware Elevator Manufacturing, Inc.

**Factory Location**

27685 Rockawalkin Ridge Rd.

Salisbury, Maryland 21801

Ph: (410) 749-3489

Fax: (410) 749-3934

**Delaware Elevator National Sales**

360 Pierce Ave.

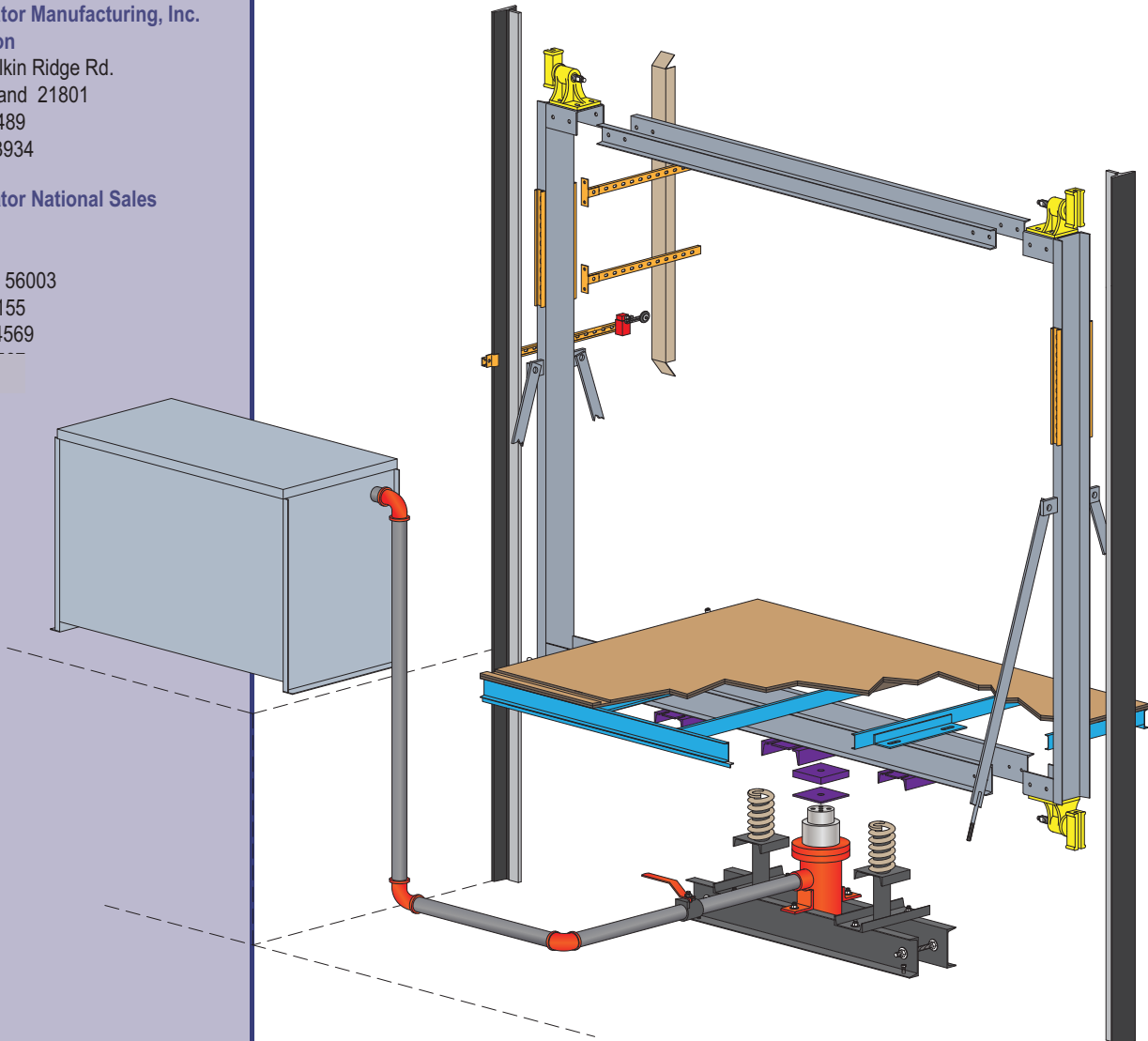
Suite 207

N. Mankato, MN 56003

Ph: (443) 497-0155

Fax: (507) 389-4569

# IN-GROUND “Group One” Package



## Options:

- Roller Guide: 803RG
- Roller Guide: 36SRG
- Additional Limit Switches
- Rail Bracket Extension
- Checker Plate: Stainless Steel, Aluminum, or Steel.
- Marine Plywood
- Isolated Platform
- Dry Power Unit
- Seismic Splice Plates
- Piping Package
- Government Specifications
- Sealed PVC
- Other Custom Applications

## Group One Hydraulic Passenger Package Includes:

- **Platform with Toe Guard:** (2) Layers of 1/2" Plywood, 26 ga. Galvanized Fireshield
- **Sling:** Stile, Bolster, X-Head, Stay Rods, Isolated Platen, Strike Plates
- **Shoes/Guides:** 816SSC Standard (Single Swivel)
- **Limit Switch Package:** 5 ea. Switches with Brackets & Cam
- **Pit Package:** Buffer Stands with Springs, Pit Channels
- **Rail Brackets, Fasteners & Forged Clips**
- **Rails with Splice Plates**
- **Jack**
- **Layout Drawings** (11 X 17)
- **Submersible Power Unit**  
(Visit our website [www.DelawareElevator.com](http://www.DelawareElevator.com) for more information on our Power Units)

▶ Visit [www.DelawareElevator.com](http://www.DelawareElevator.com)  
for our Group One Package RFQ Form.

“Quality Elevator Equipment For Every Rising Need”

## Group One Hydraulic RFQ/ Order Form

Project Name: \_\_\_\_\_ Location: \_\_\_\_\_

Customer: \_\_\_\_\_  
 Contact: \_\_\_\_\_ Phone: \_\_\_\_\_  
 Address: \_\_\_\_\_ Fax: \_\_\_\_\_  
 \_\_\_\_\_ E-Mail: \_\_\_\_\_

- In Ground   
  Twin Jack Holeless   
  Cornerpost (In Ground)  
 Passenger   
  Freight   
 Class of Loading:  Class A   
 Class B   
 Class C-1   
 Class C-2   
 Class C-3

Capacity: \_\_\_\_\_ (lbs)    Travel: \_\_\_\_\_ ft. \_\_\_\_\_ in.  
 Speed Up: \_\_\_\_\_ FPM    Seismic Zone:  Zone 0/1   
 Zone 2   
 Zone 3   
 Zone 4

Platform: \_\_\_\_\_ Wide x \_\_\_\_\_ Deep

Hoistway: \_\_\_\_\_ Wide x \_\_\_\_\_ Deep

Pit Depth: \_\_\_\_\_    Clear Overhead: \_\_\_\_\_    Cab Height(OA): \_\_\_\_\_

Machine Rm:  Adj. Lower Level   
 Remote \_\_\_\_\_ ft.    Power: \_\_\_\_\_ Volts 3Ph. 60 Hz.

Landings: \_\_\_\_\_ Openings: \_\_\_\_\_ Front: \_\_\_\_\_ Rear: \_\_\_\_\_ Side: \_\_\_\_\_

Door Type:  SSSO   
 2SSO   
 SSCO   
 Bi-Parting(Freight)   
 Other \_\_\_\_\_

Door Width:  36"   
 42"   
 48"   
 60"   
 Other \_\_\_\_\_

Door Height:  84"   
 96"   
 120"   
 Other \_\_\_\_\_

Power Unit:  Submersible   
 Dry   
 Oil Line Output:  RH   
 LH   
 Vic   
 Thread

Jack: Pieces  1   
 2   
 3   
 4   
 PVC(Inground only)  Sch 40   
 Sch 80   
 Cyl. Tape Wrap

### Available Group One Options:

- Roller Guide   
 Marine Plywood 3/4"   
 EECO Valve   
 Piping/Oil Line Package  
 Low Pressure Sw.   
 Constant Down Speed   
 Oil Cooler   
 Low Oil Switch  
 Bladder Muffler   
 Oil Level Sight Gauge   
 Tank Heater   
 Scavenger Pump/ 100 ft. Copper Tubing  
 (Chamber Muffler Std.)

Comments: \_\_\_\_\_  
 \_\_\_\_\_

